

RevNo	Revision note	Date	Signature	Checked
-------	---------------	------	-----------	---------

A

B

C

D

E

F

A

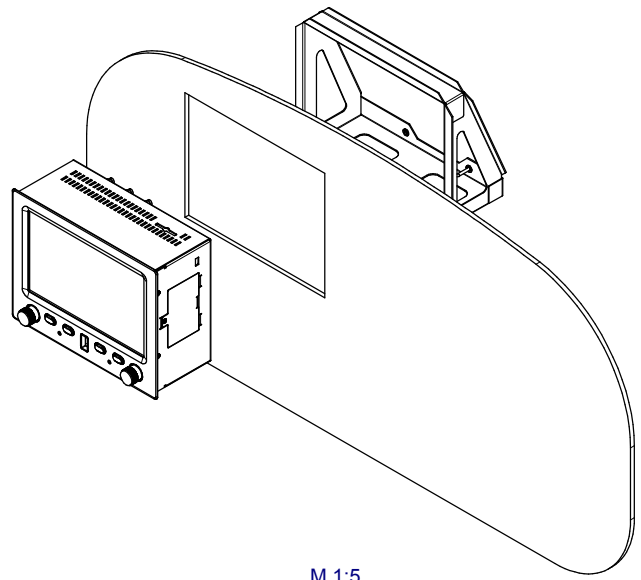
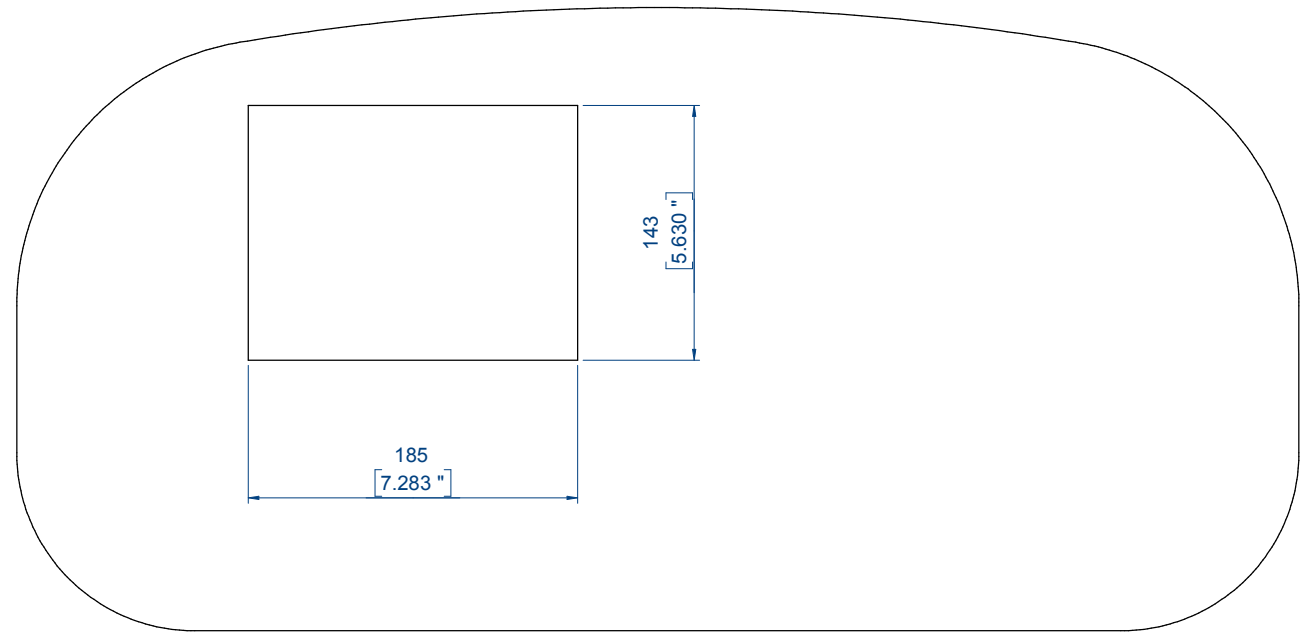
B

C

D

E

F



M 1:5

Itemref	Quantity	Title/Name, designation, material, dimension etc	Article No./Reference		
Drawn by Tomas MARCZI	Checked by P. Jerabek	Approved by - date	File name	Date 8th of September 2008	Scale <b>1:3</b>
<b>TL electronic Inc.</b>			INTEGRA - Assembling hole		
			TLX-6524-KA-003-PrA	Edition	Sheet