

1

2

3

4

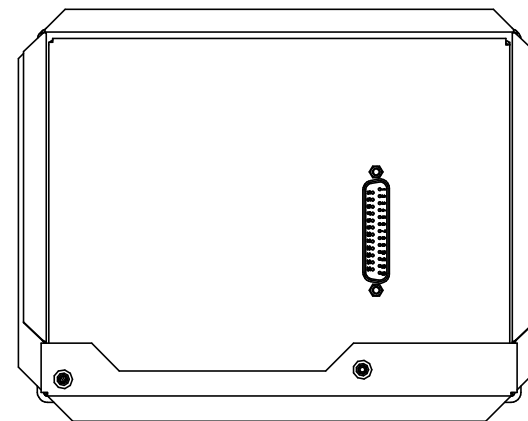
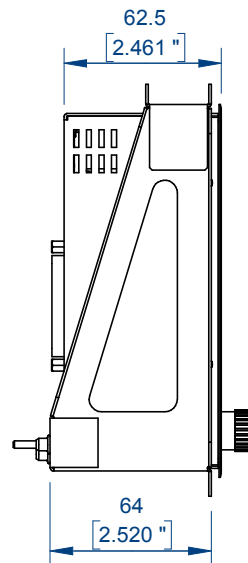
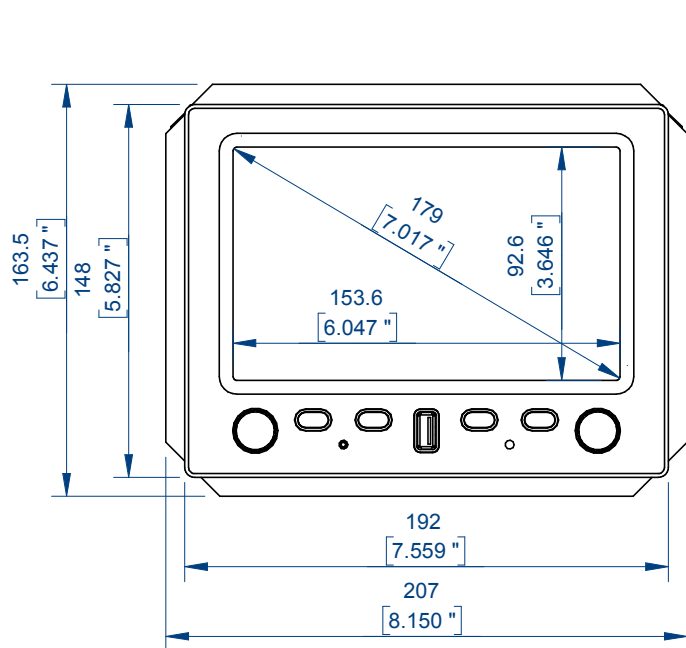
5

6

RevNo	Revision note	Date	Signature	Checked
-------	---------------	------	-----------	---------

A

A

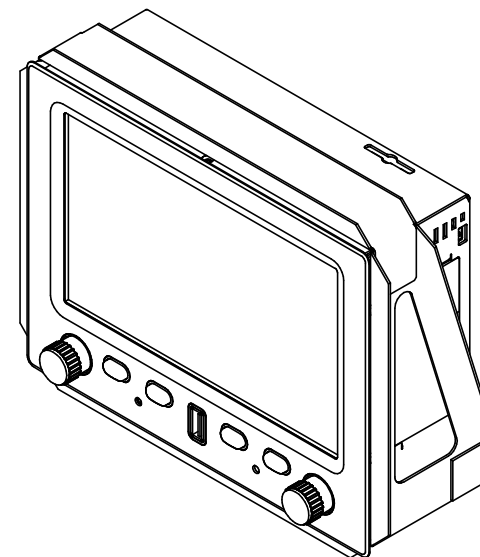
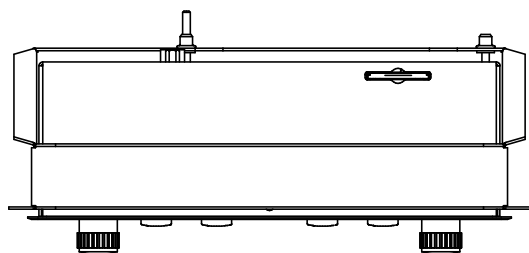


B

B

C

C



D

D

Itemref	Quantity	Title/Name, designation, material, dimension etc			Article No./Reference	
Drawn by Tomas MARCZI	Checked by P.Jerabek	Approved by - date	File name	Date 27th of October 2008	Scale 1:3	
TL elektronik a.s.			6824 - INTEGRA Remote Display			
			TLX-6824-KA-005-PrA			Edition A

1

2

3

6